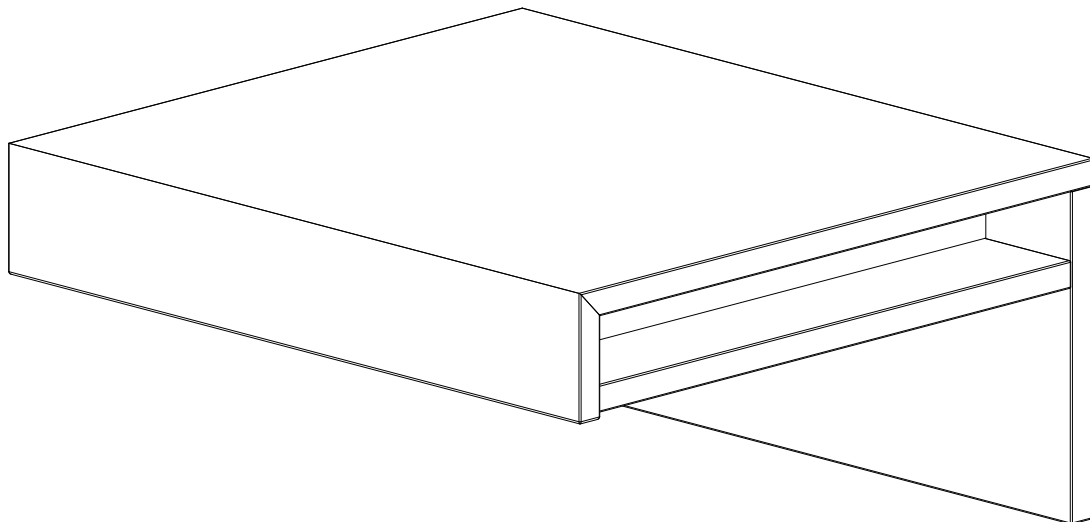




Assembly Guide

Flatline wall mounted search station



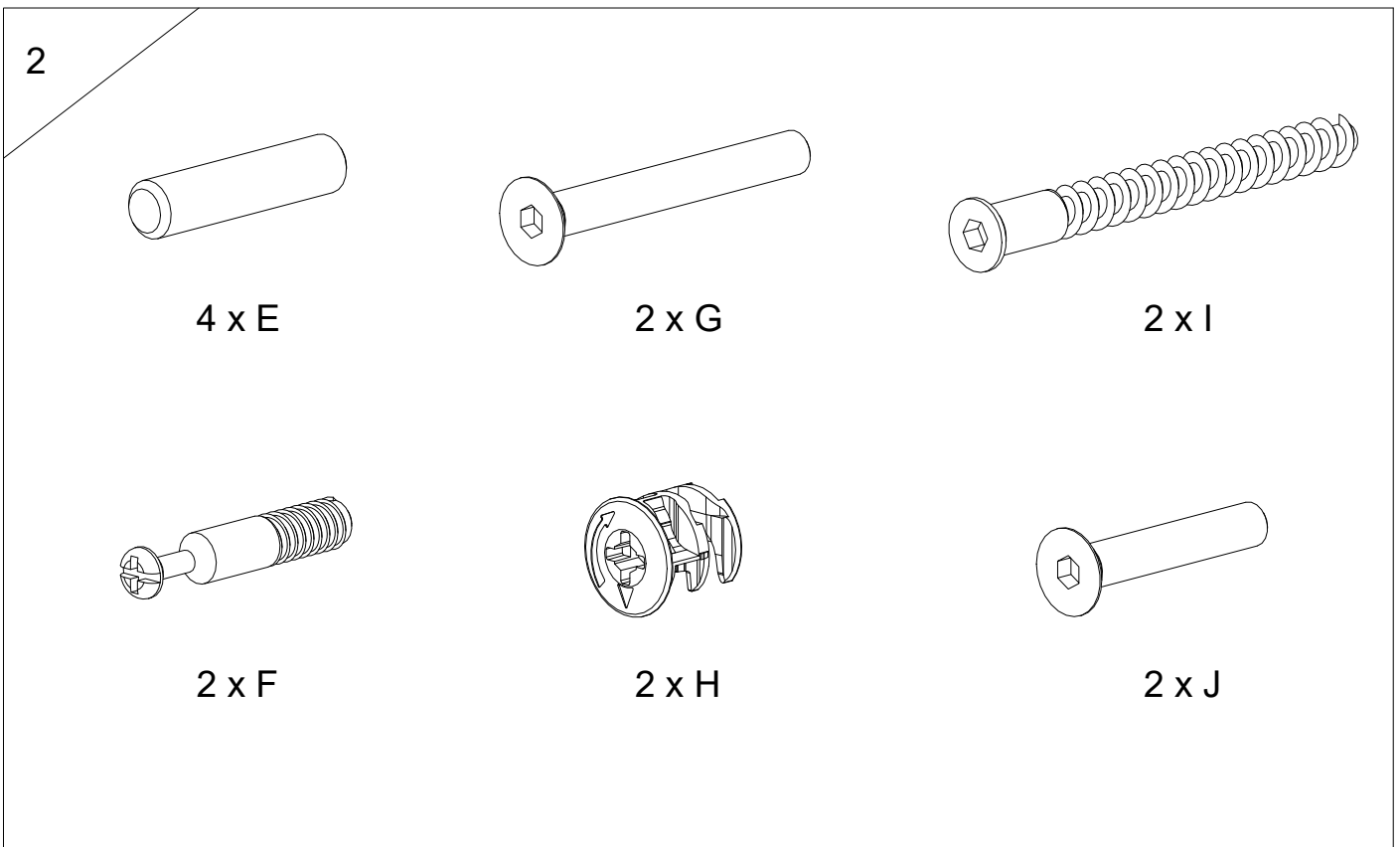
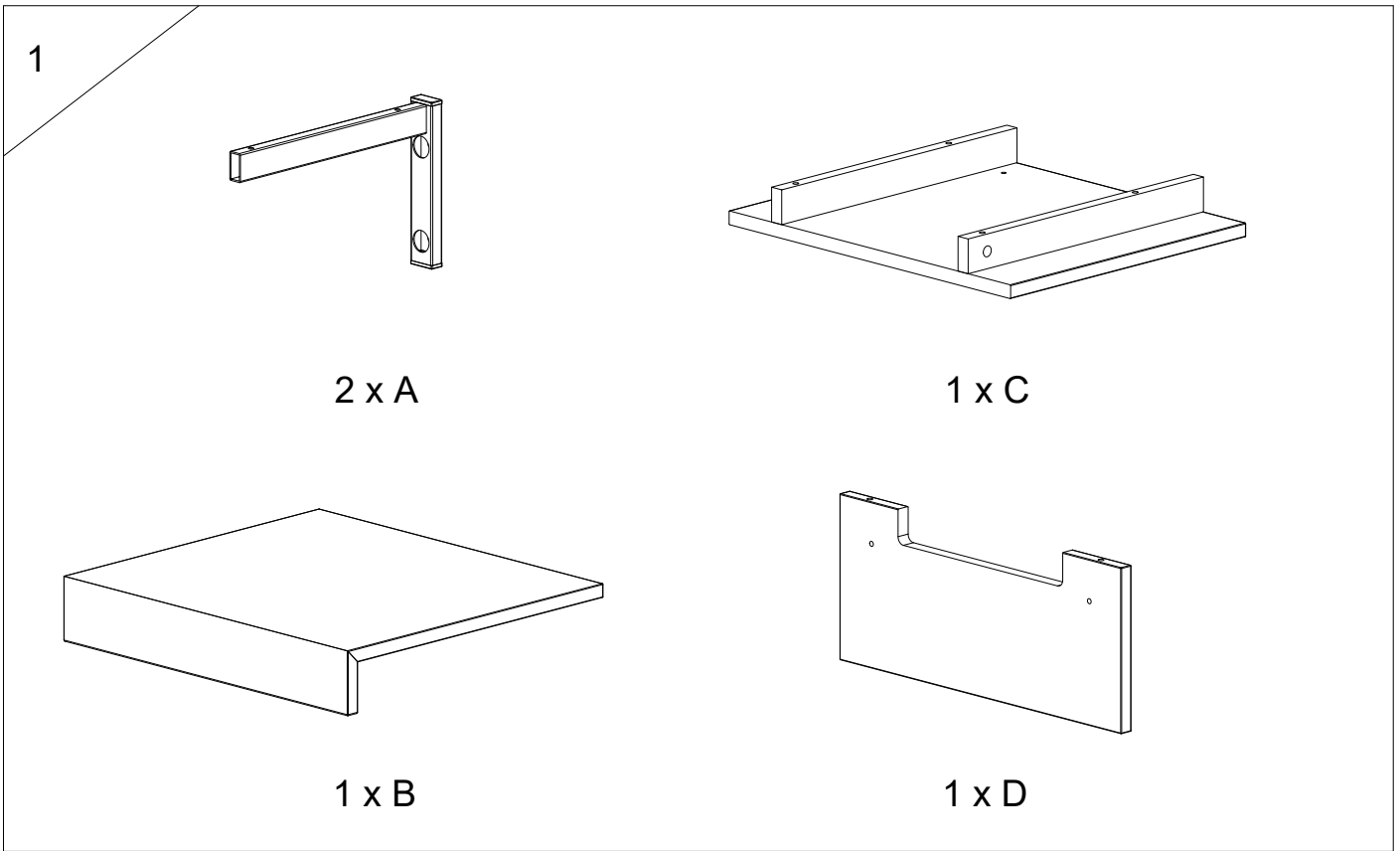
06.2021

First check the contents to make sure that nothing is missing. Sort out the screws and fittings as shown.
Assemble your furniture step by step, as shown in the illustrations.

Assembly Guide



Flatline wall mounted search station



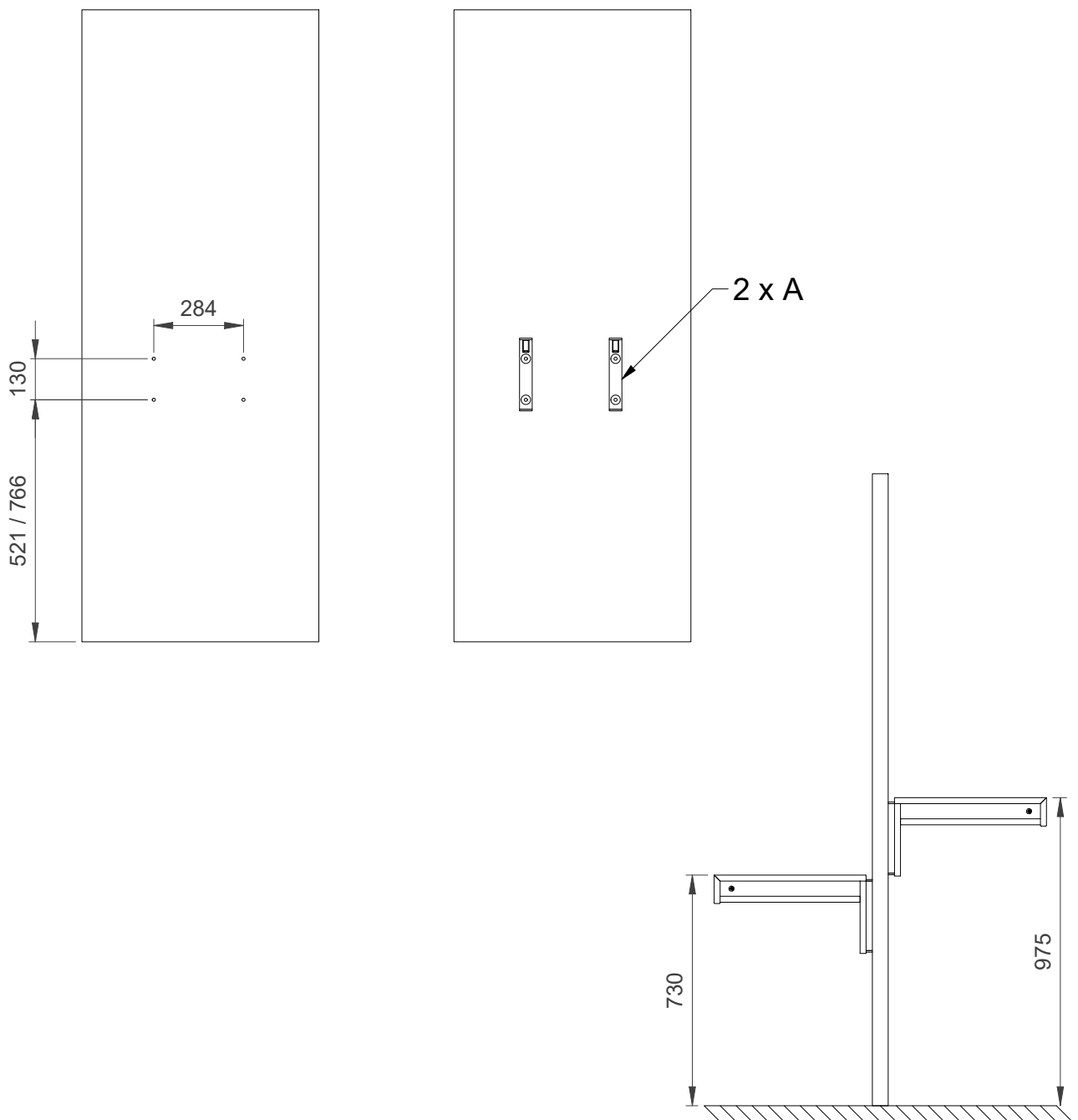


Flatline wall mounted search station

3

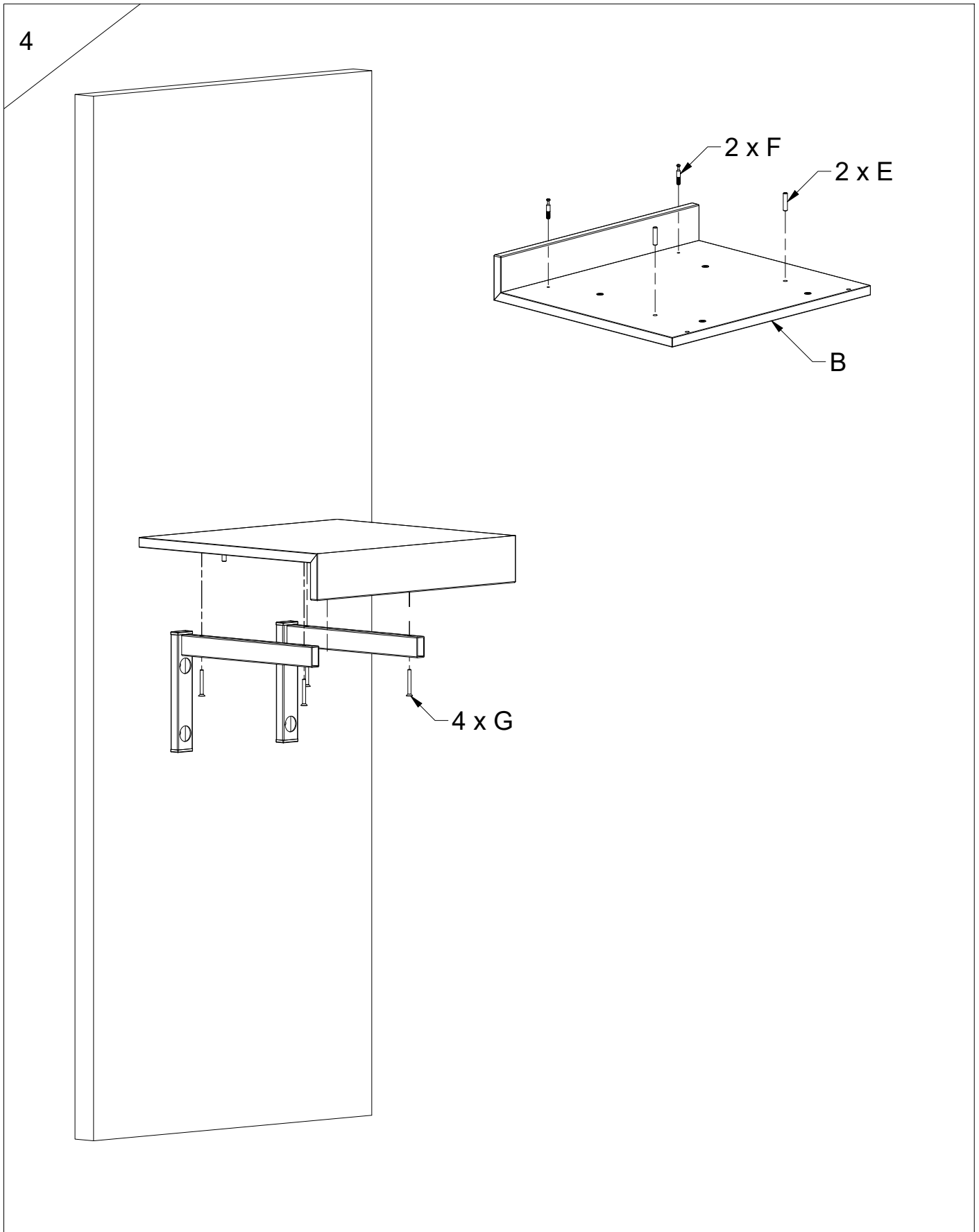
The hardware (not included) used to secure the angled brackets (A) to the wall depends on your wall material.
If you are unsure about what type of screw to use, contact your local hardware store.

Dimension of hole distance:





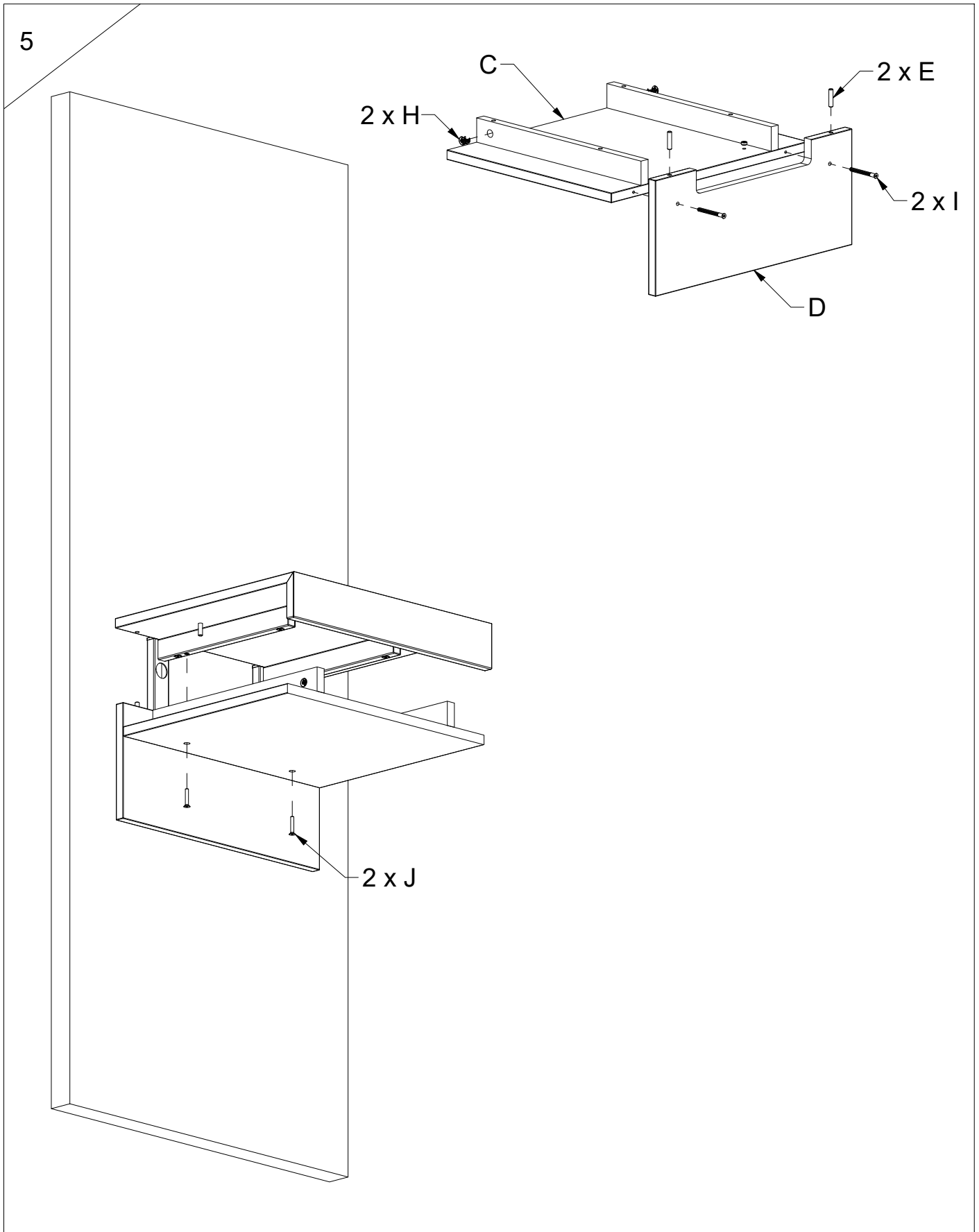
Flatline wall mounted search station



Assembly Guide



Flatline wall mounted search station



Assembly Guide



Flatline wall mounted search station

