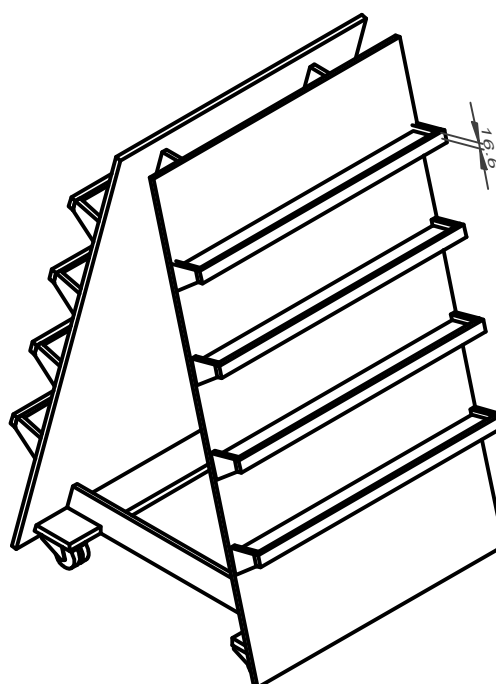
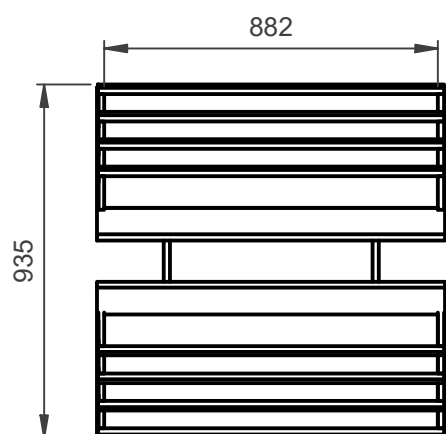
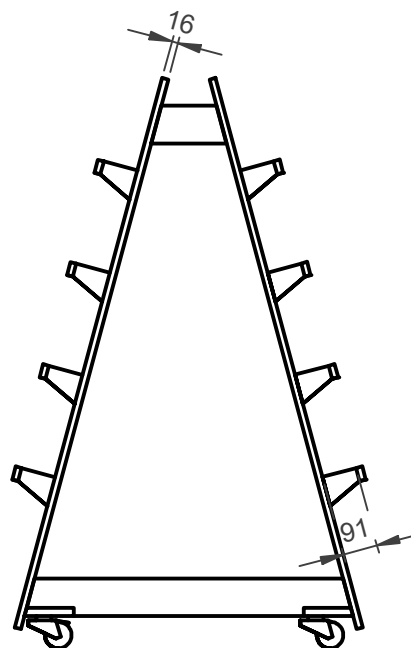
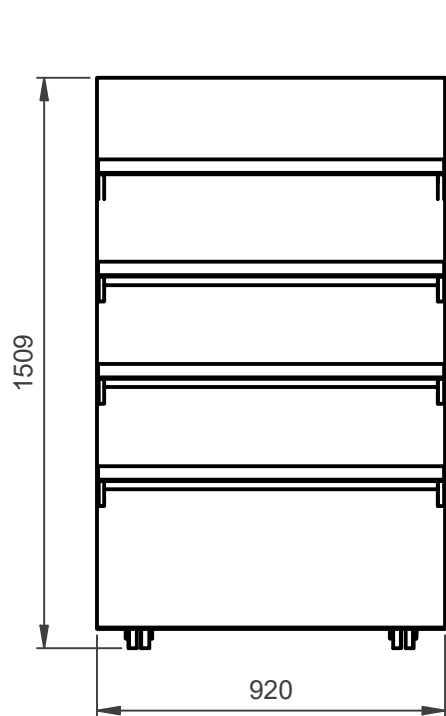


# Say A



All measurements are in mm.