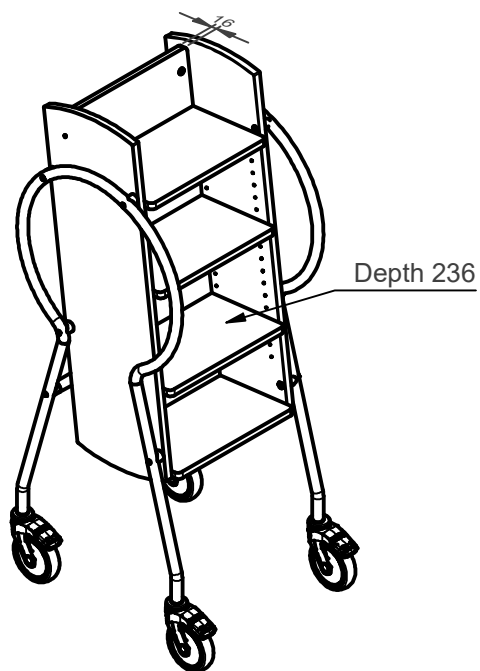
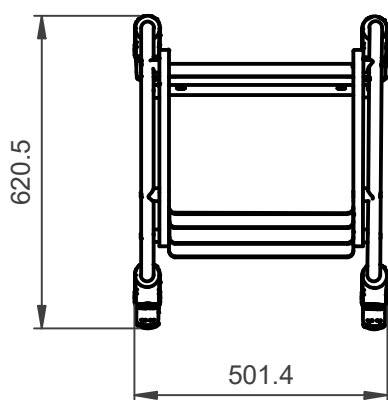
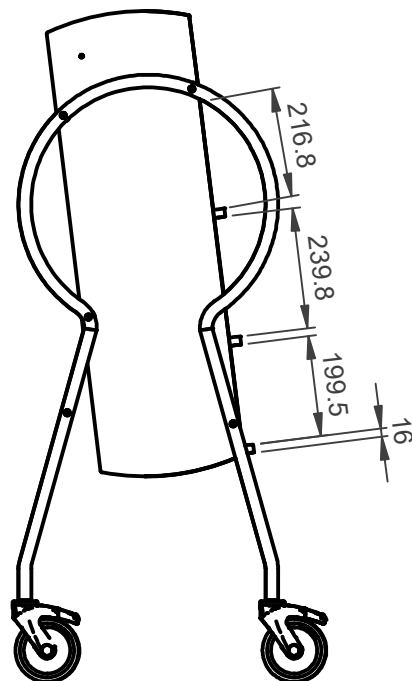
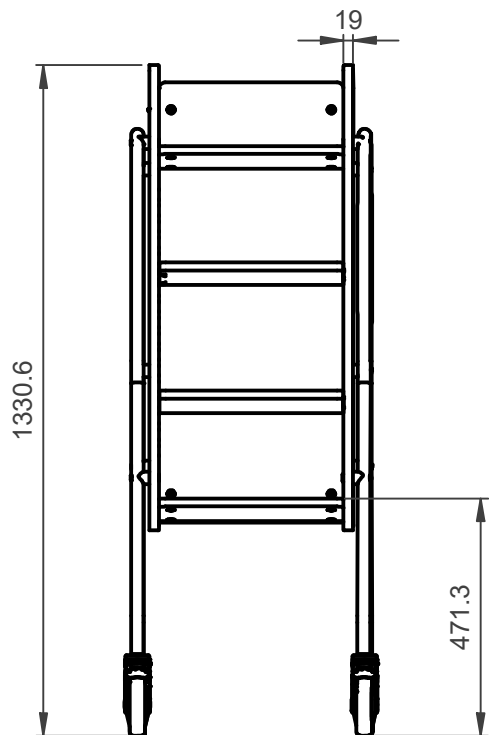


# Push & Pull



All measurements are in mm.