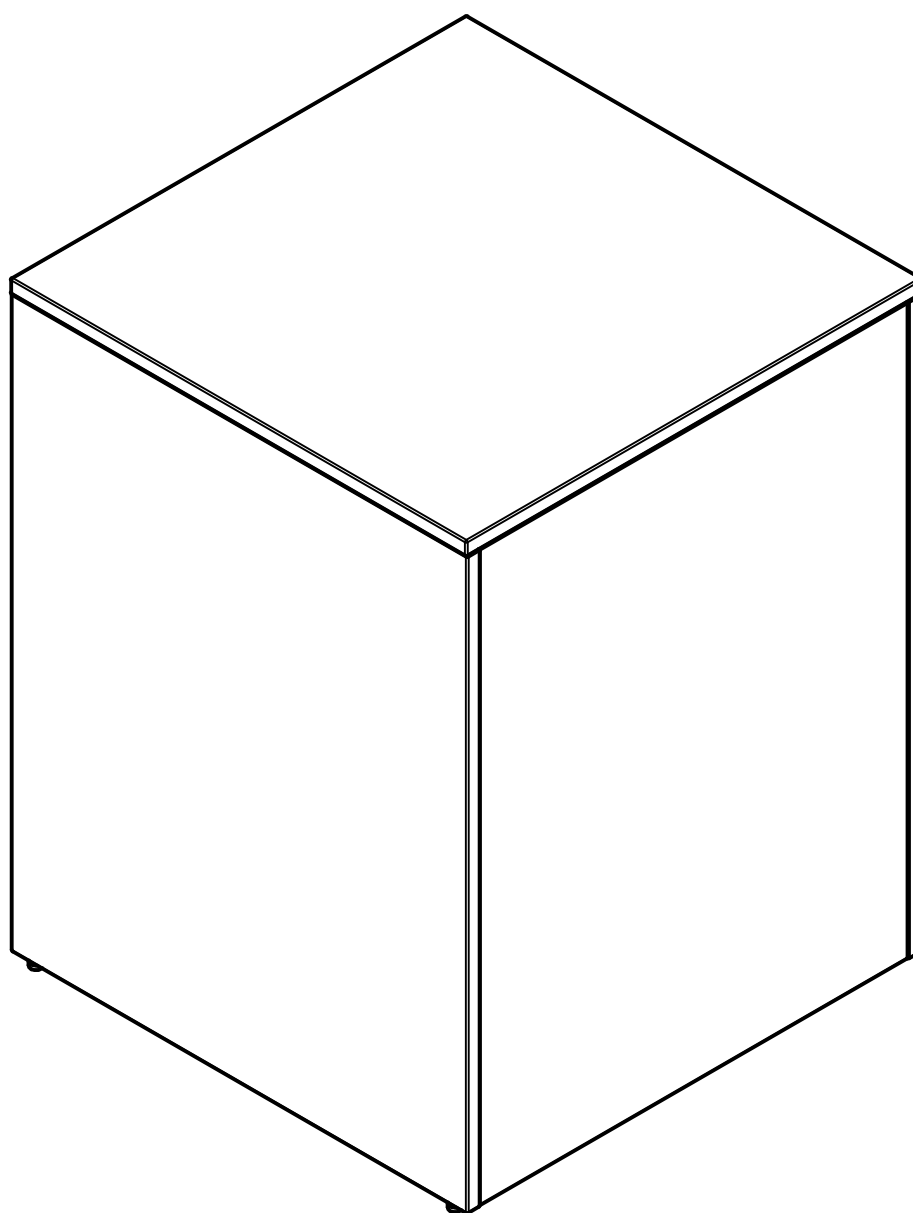


Assembly Guide

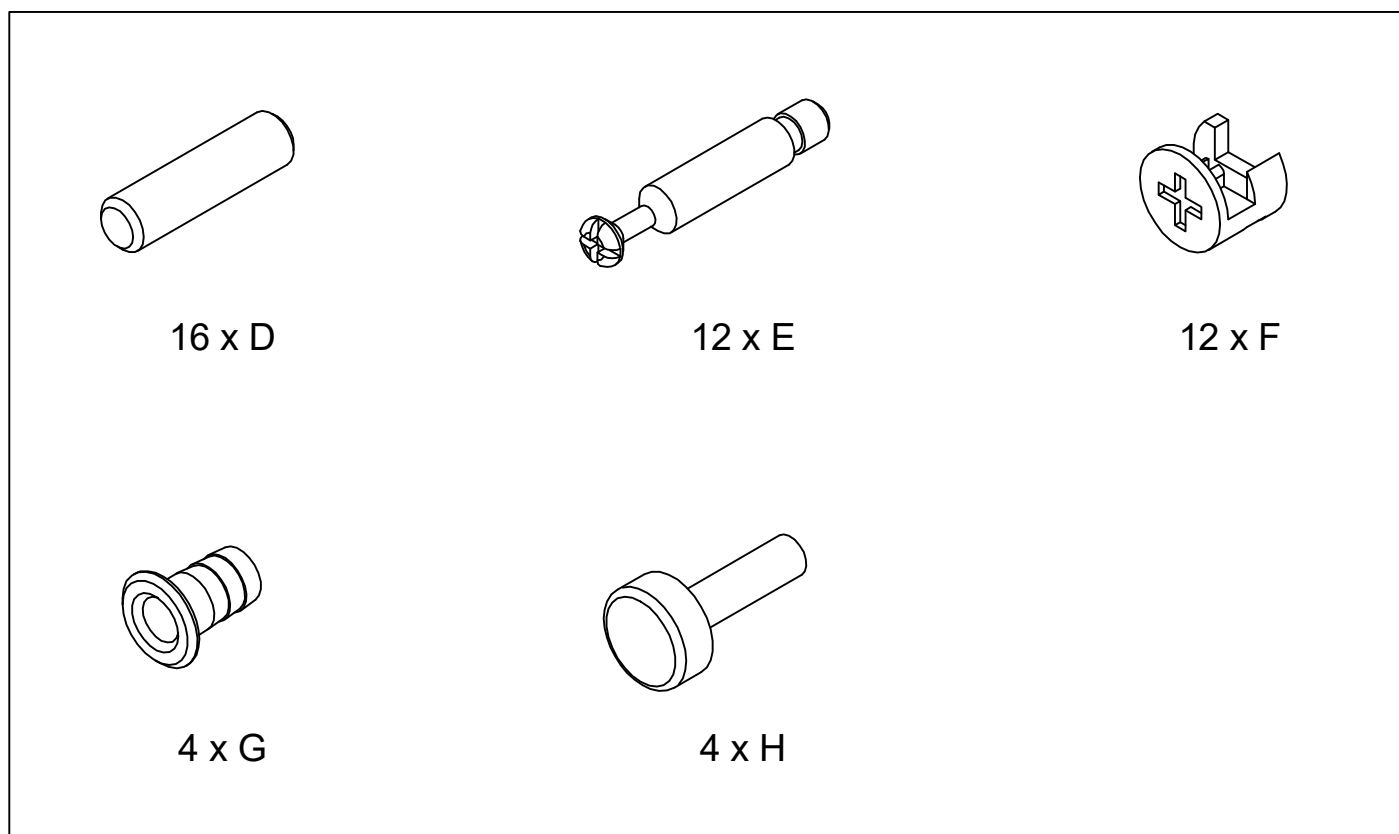
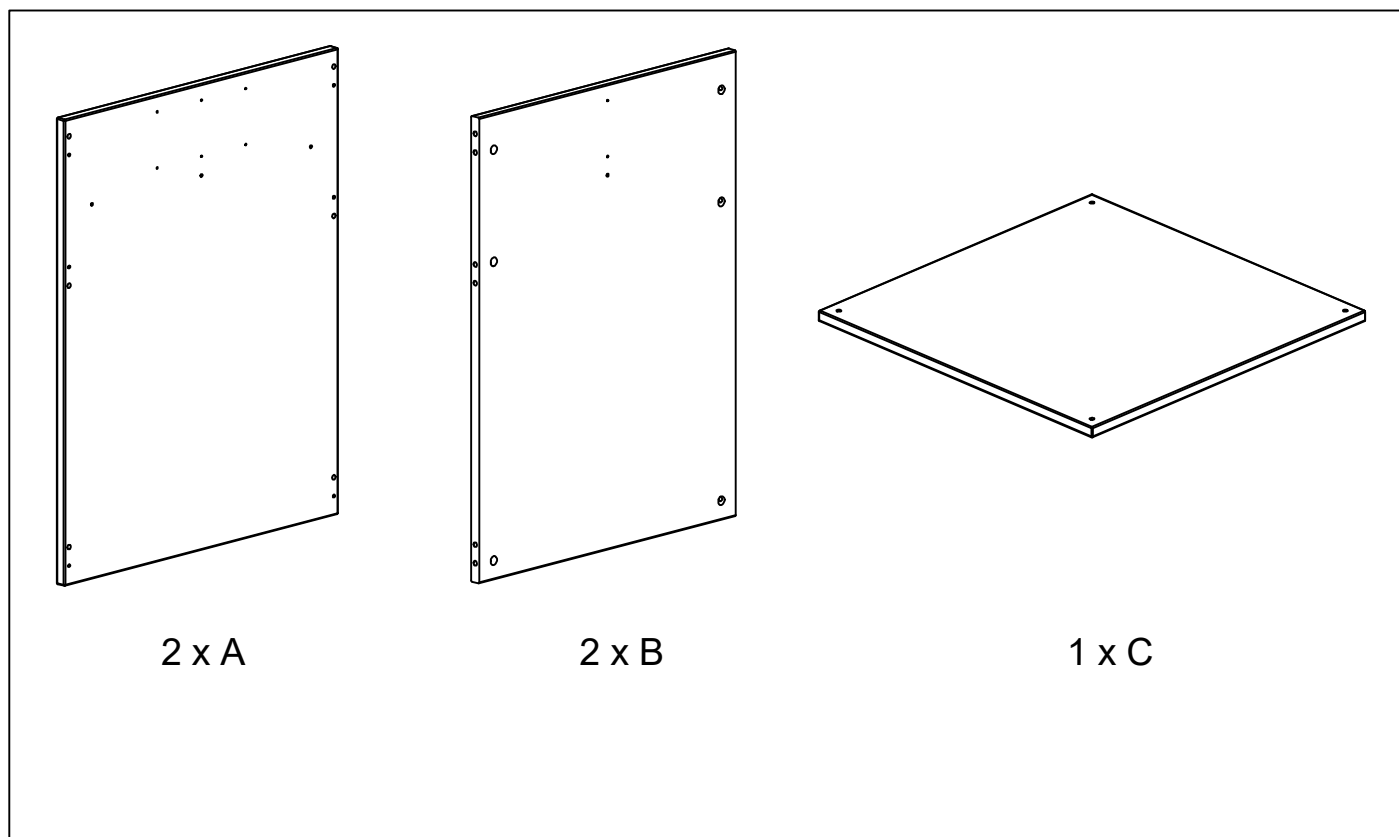
Maria XL Maxi Podium

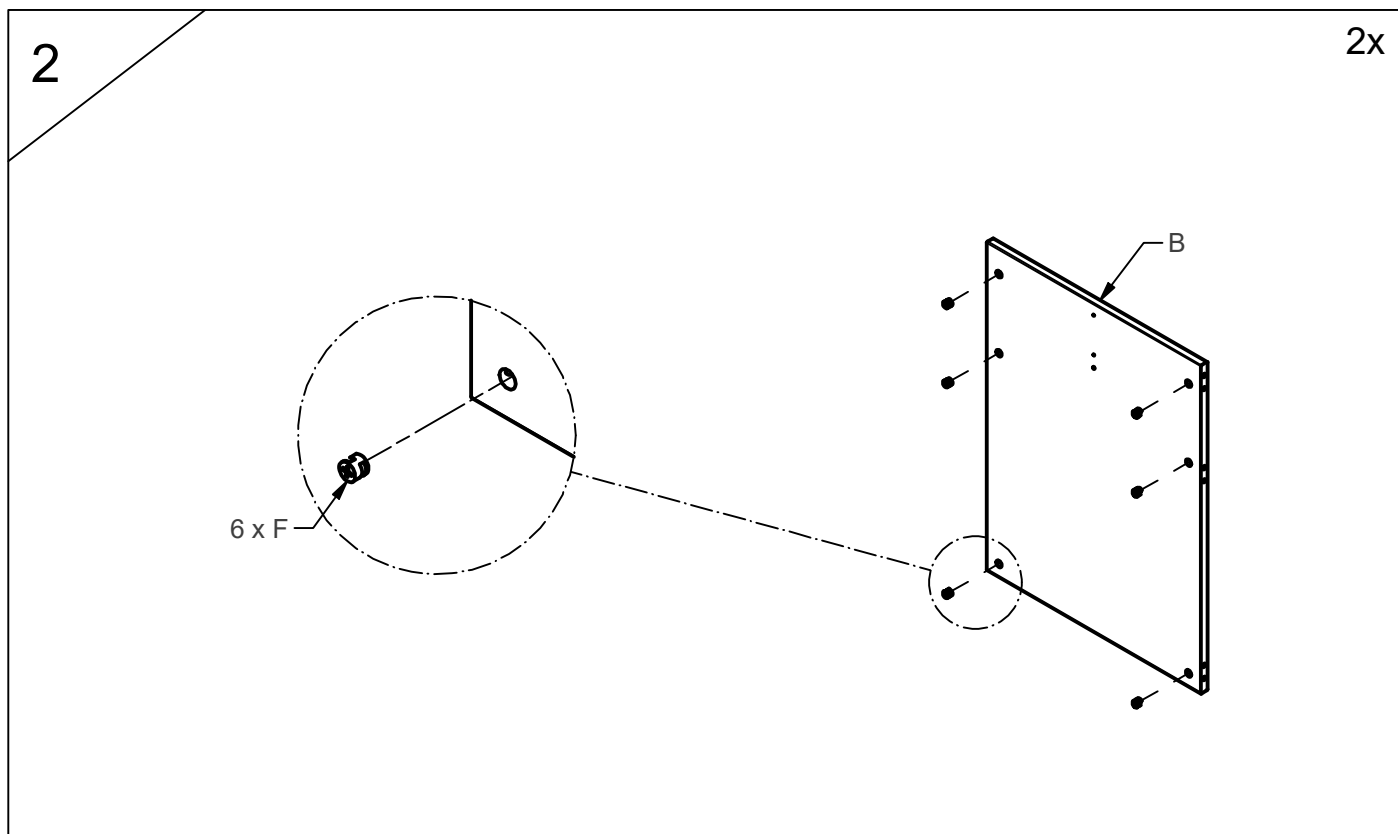
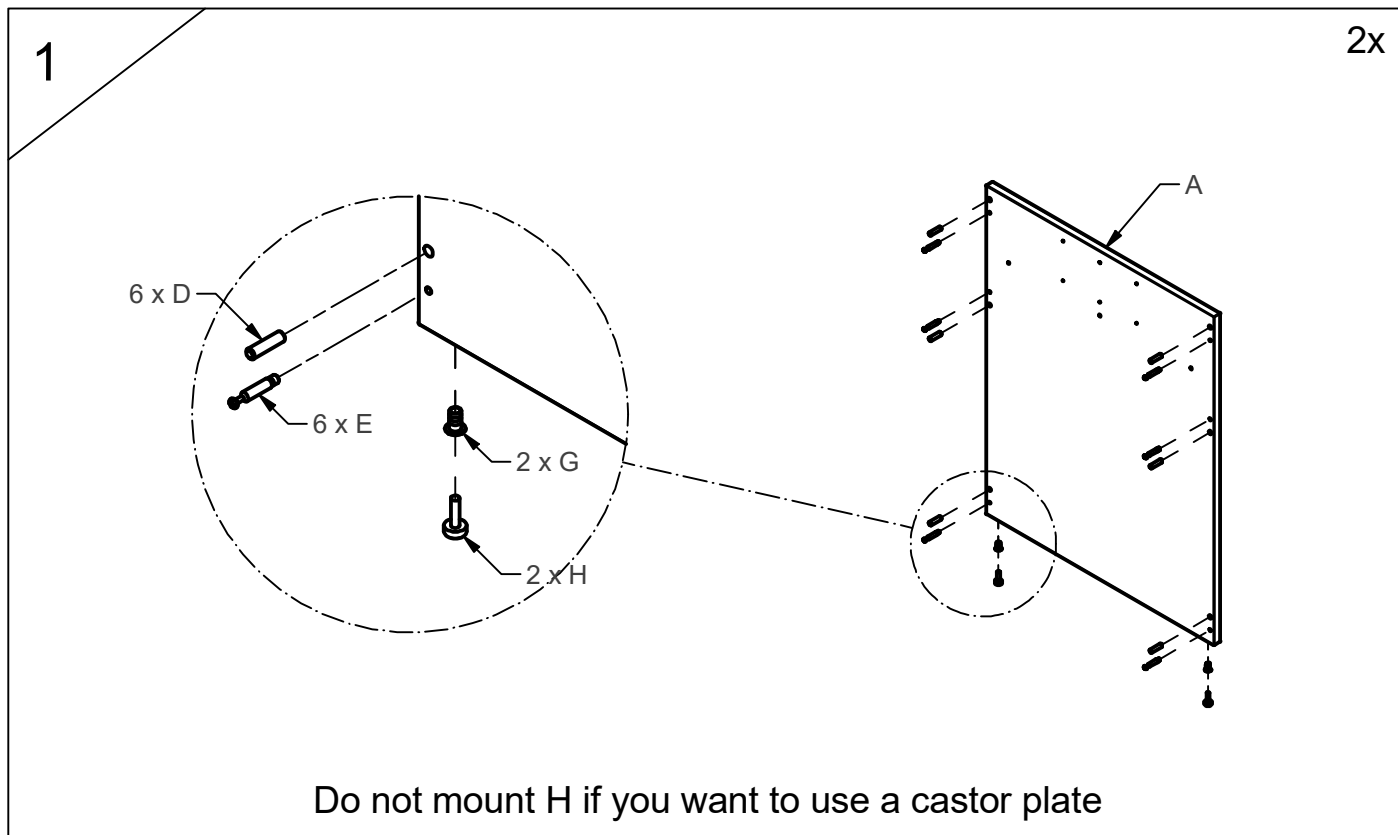


07.2019

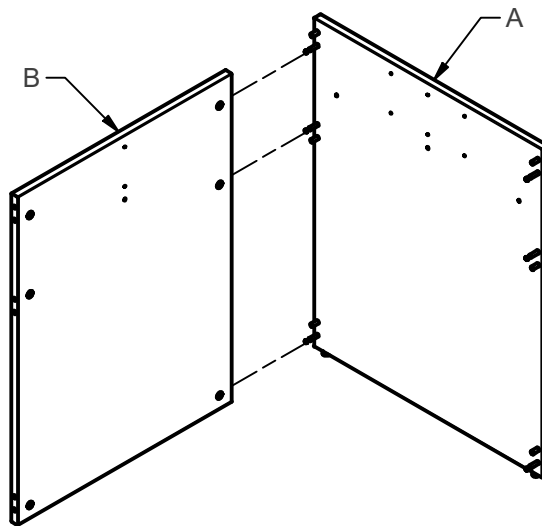
First check the contents to make sure that nothing is missing. Sort out the screws and fittings as shown.
Assemble your furniture step by step, as shown in the illustrations.

Maria XL Maxi Podium

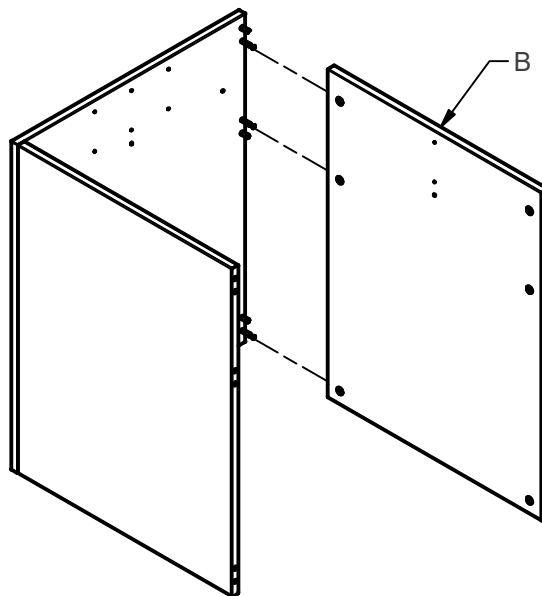


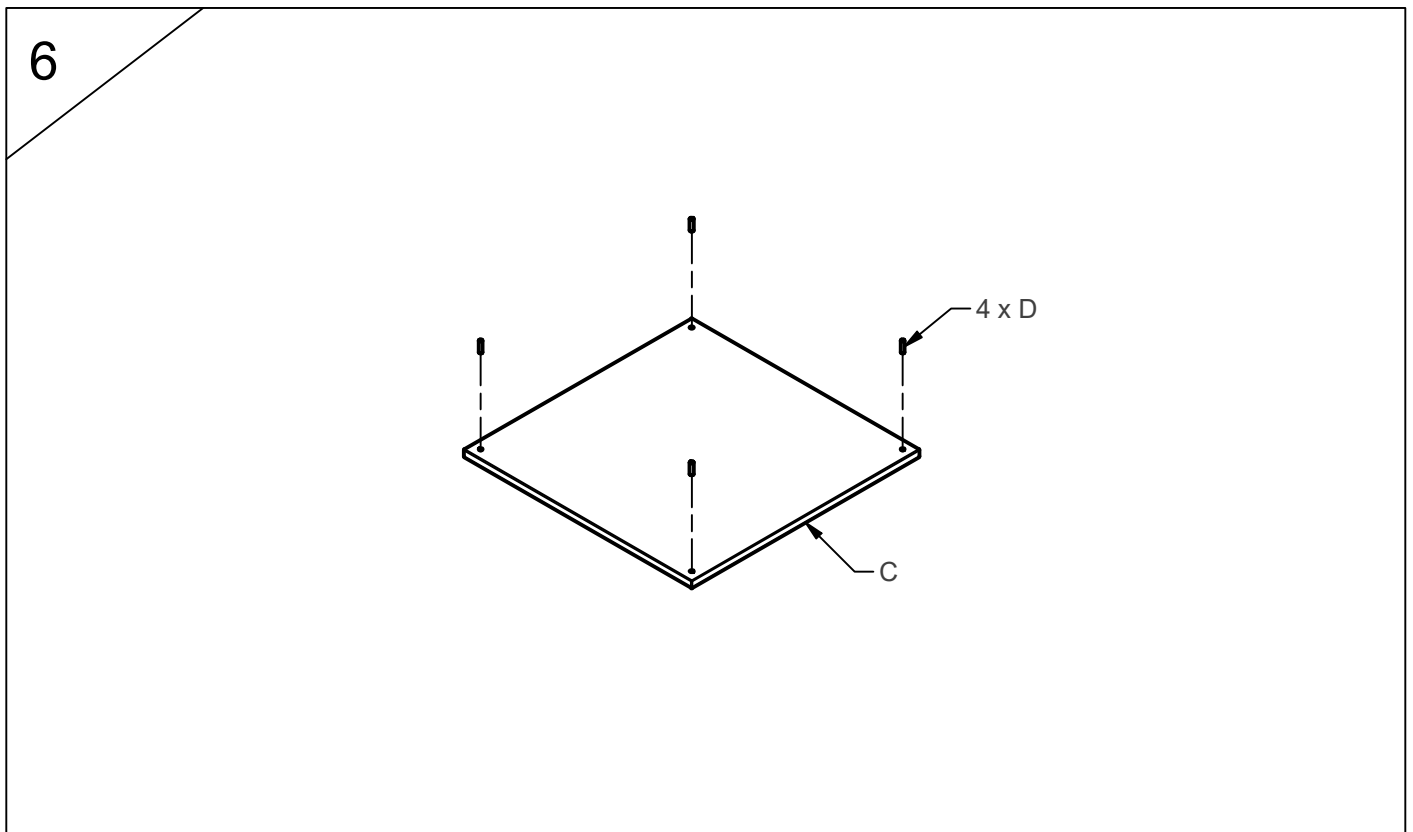
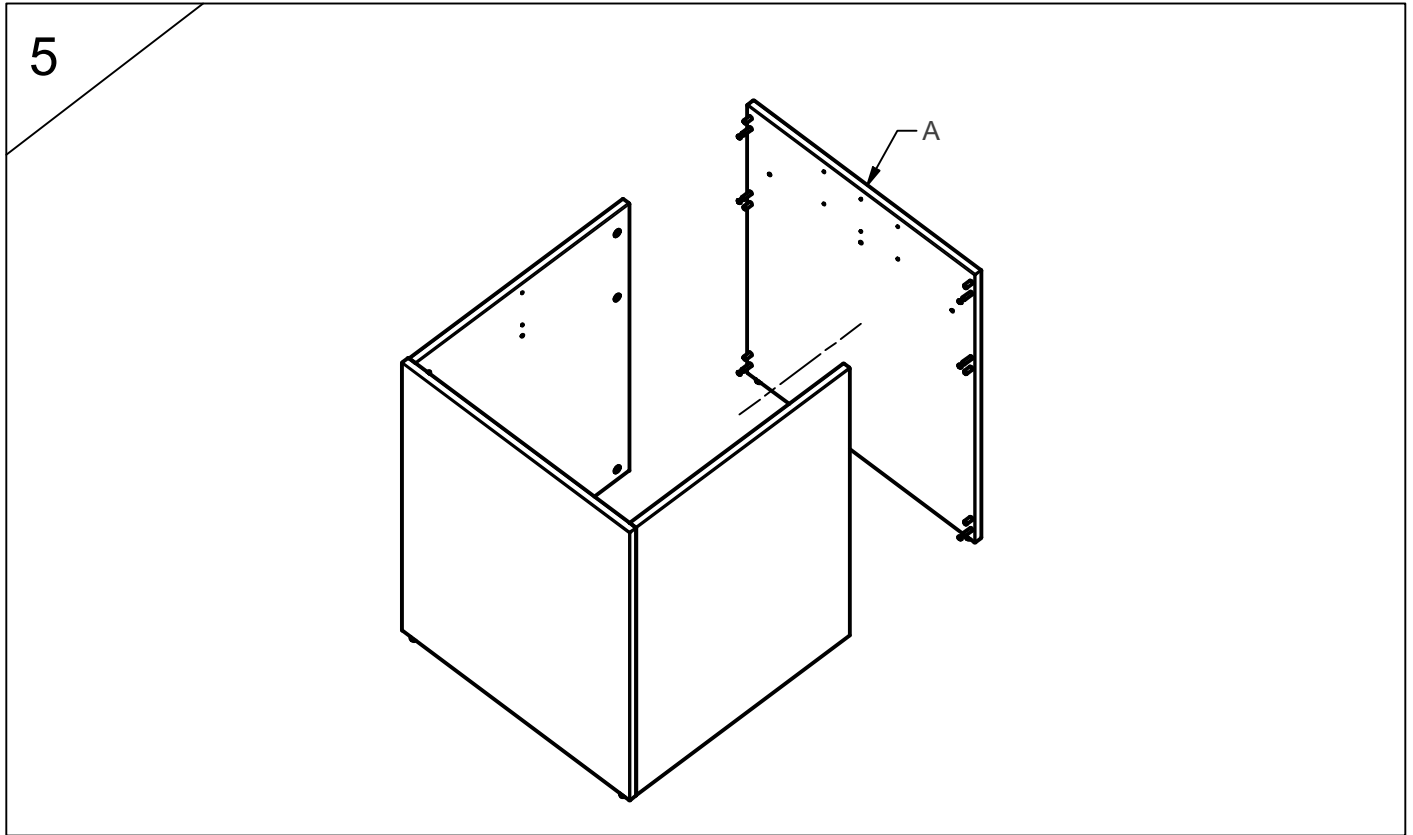


3

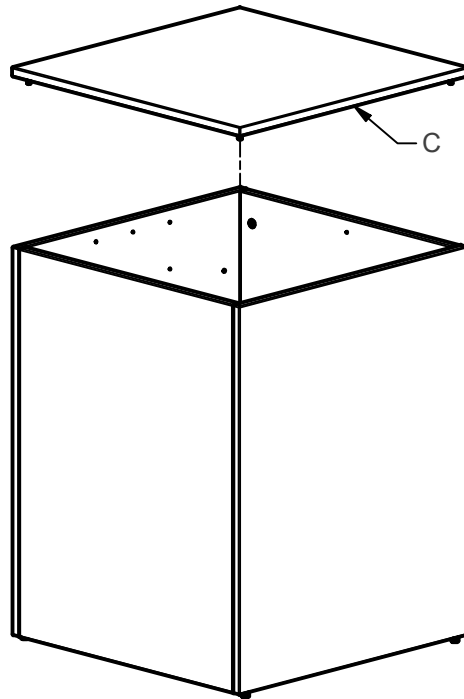


4





7



8

