

ASSEMBLY INSTRUCTION



Eurobib[®]

BCI A/S
Dalbækvej 1
DK-6670 Holsted

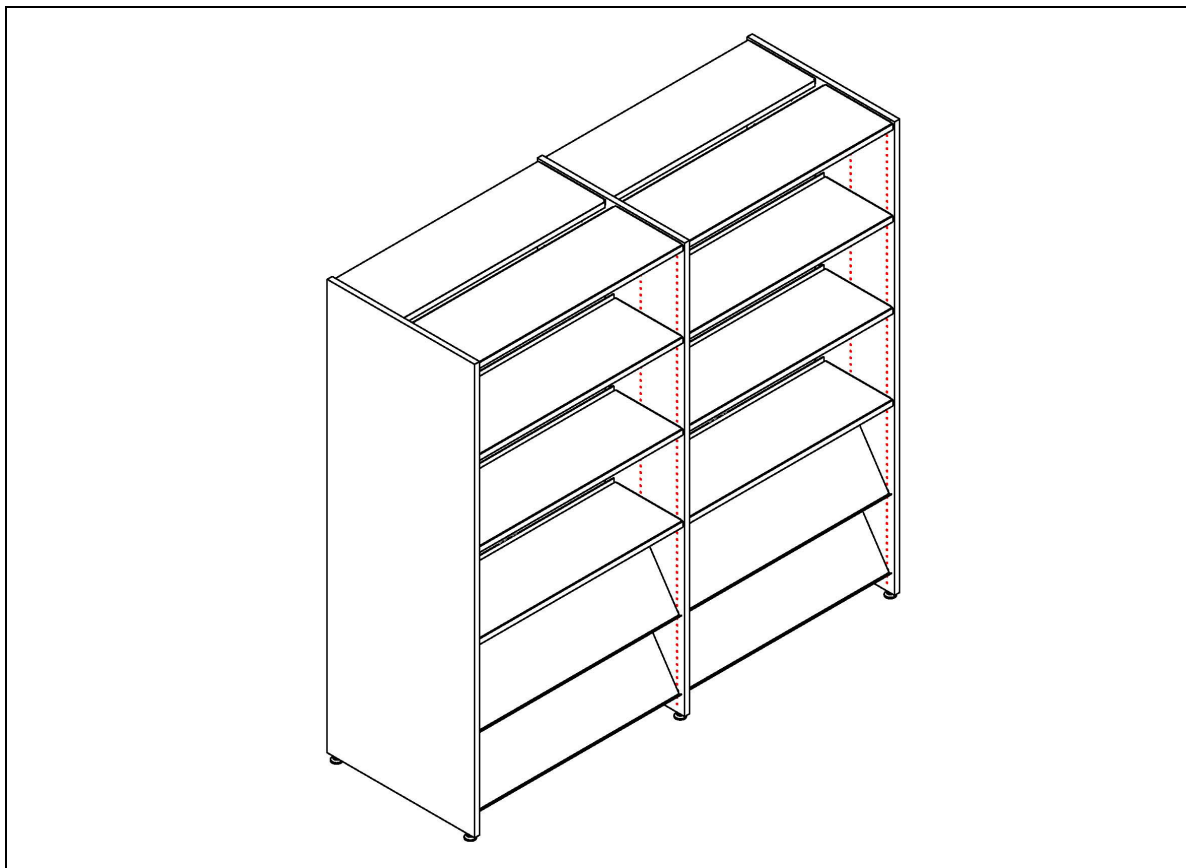
Tel.: +45 76 78 26 11
Fax: +45 76 78 26 22

E-mail: bci@bci.dk
Web: www.bci.dk

UK:
If you have any questions regarding the assembly instruction, please contact a dealer located near you. See details on www.bci.dk.

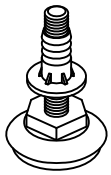
DK:
Hvis du har spørgsmål til monteringsvejledningen, kontakt venligst BCI.

One Shelving System

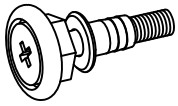


UK:
First check the contents to make sure that nothing is missing. Sort out the screws and fittings as shown. Assemble your furniture step by step, as shown in the illustrations.

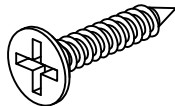
DK:
Kontrollér først indholdet. Sortér skruer og beslag som anvisningen viser.
Montér i nummerorden og som illustrationerne viser.



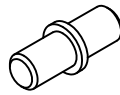
A



B



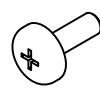
C



D



E



F

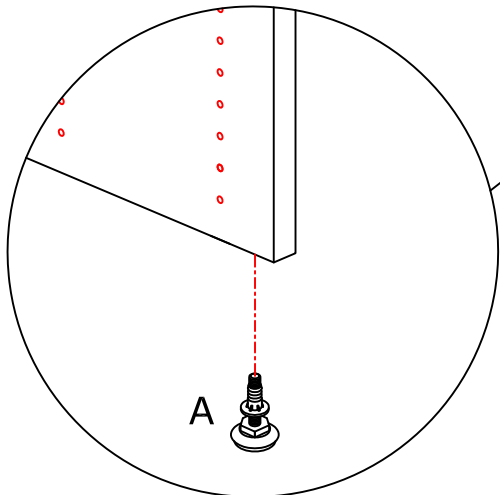
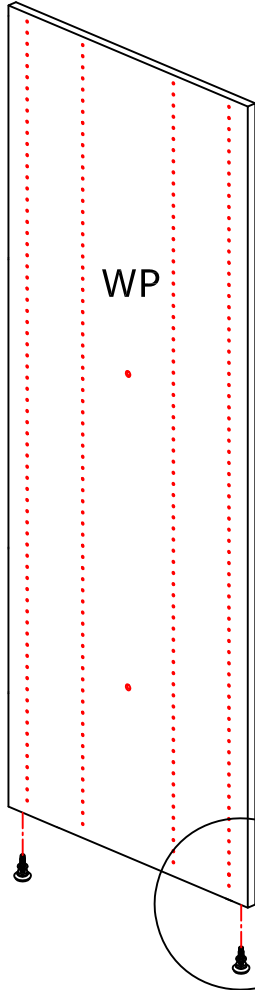
WP : Wood Panel

SF : Shelves Frame

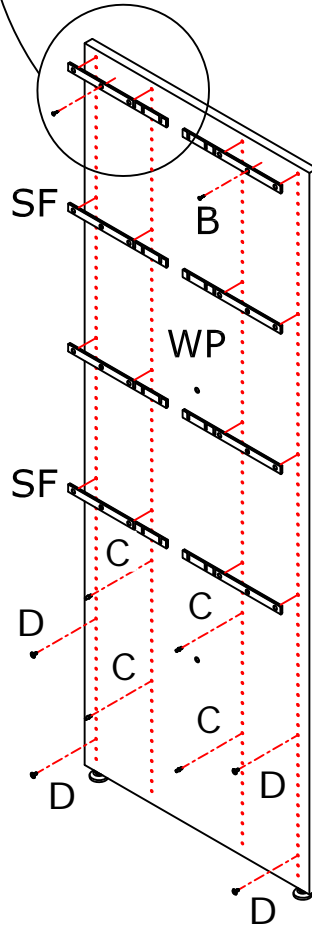
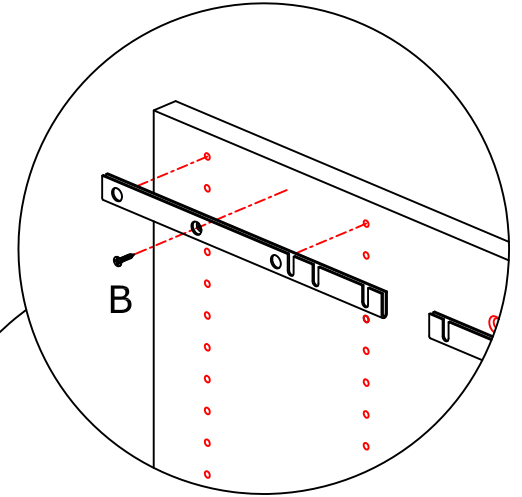
MF : Middle Frame

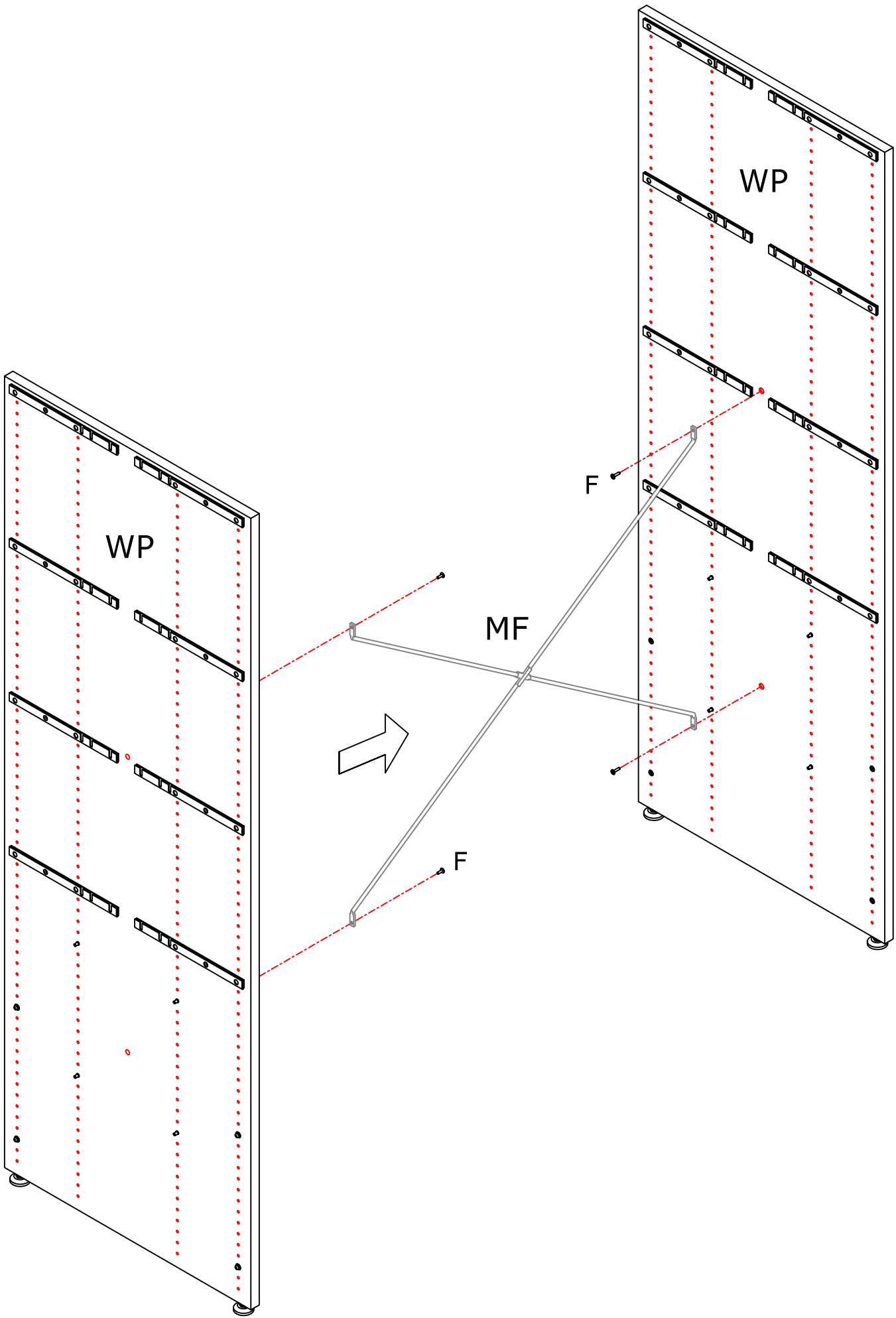
BS : Book Shelves

1

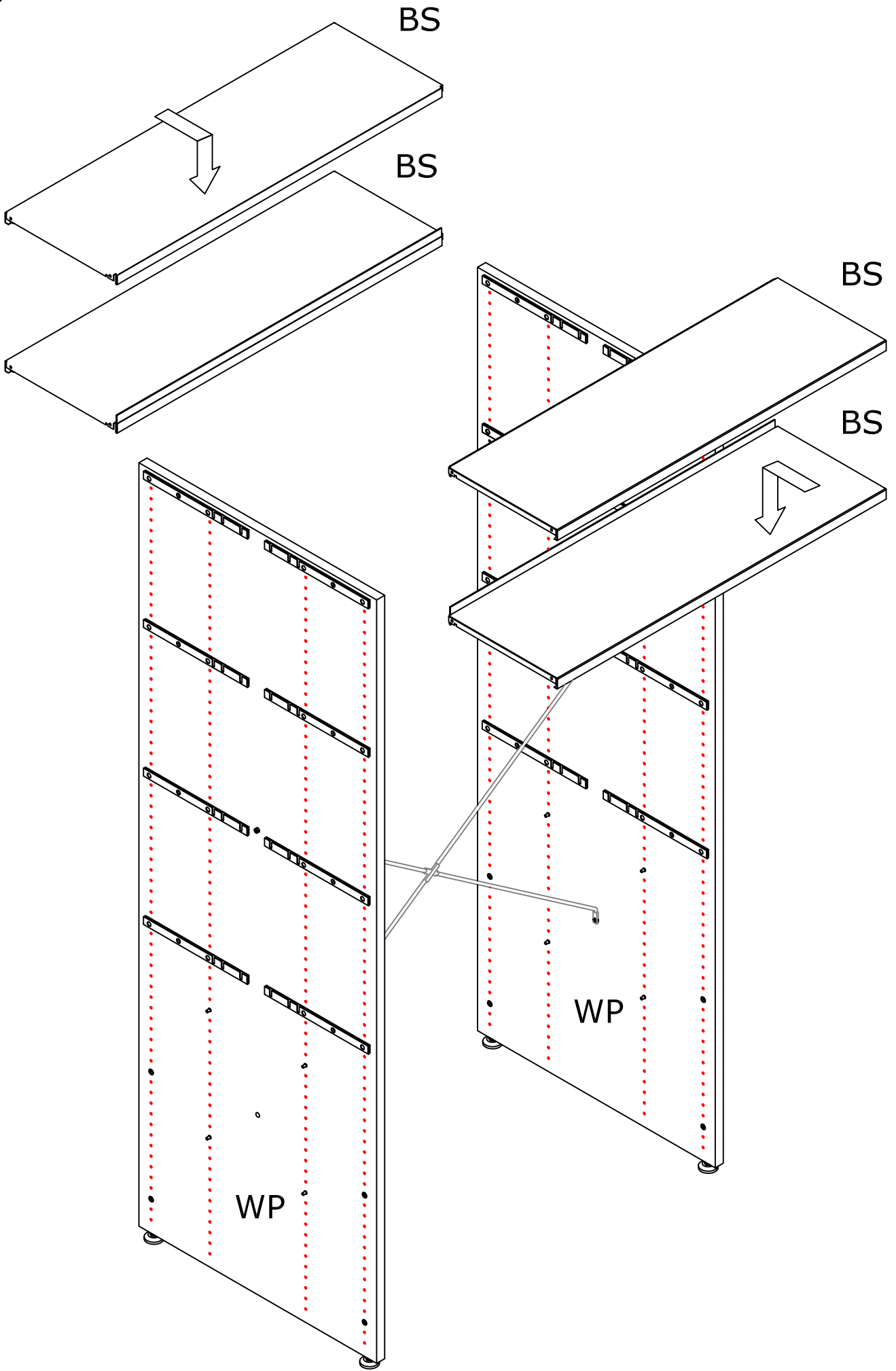


2

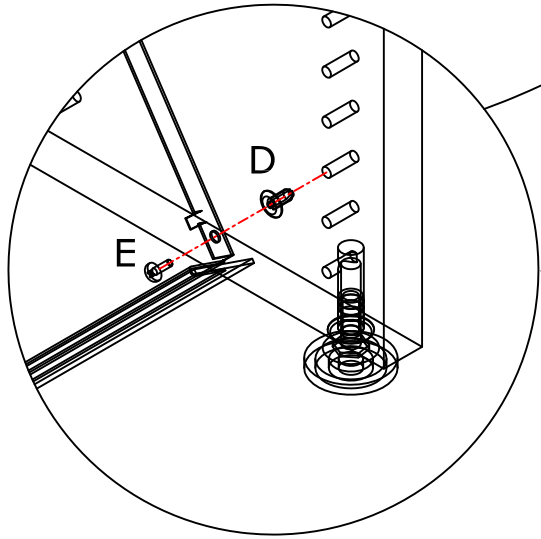
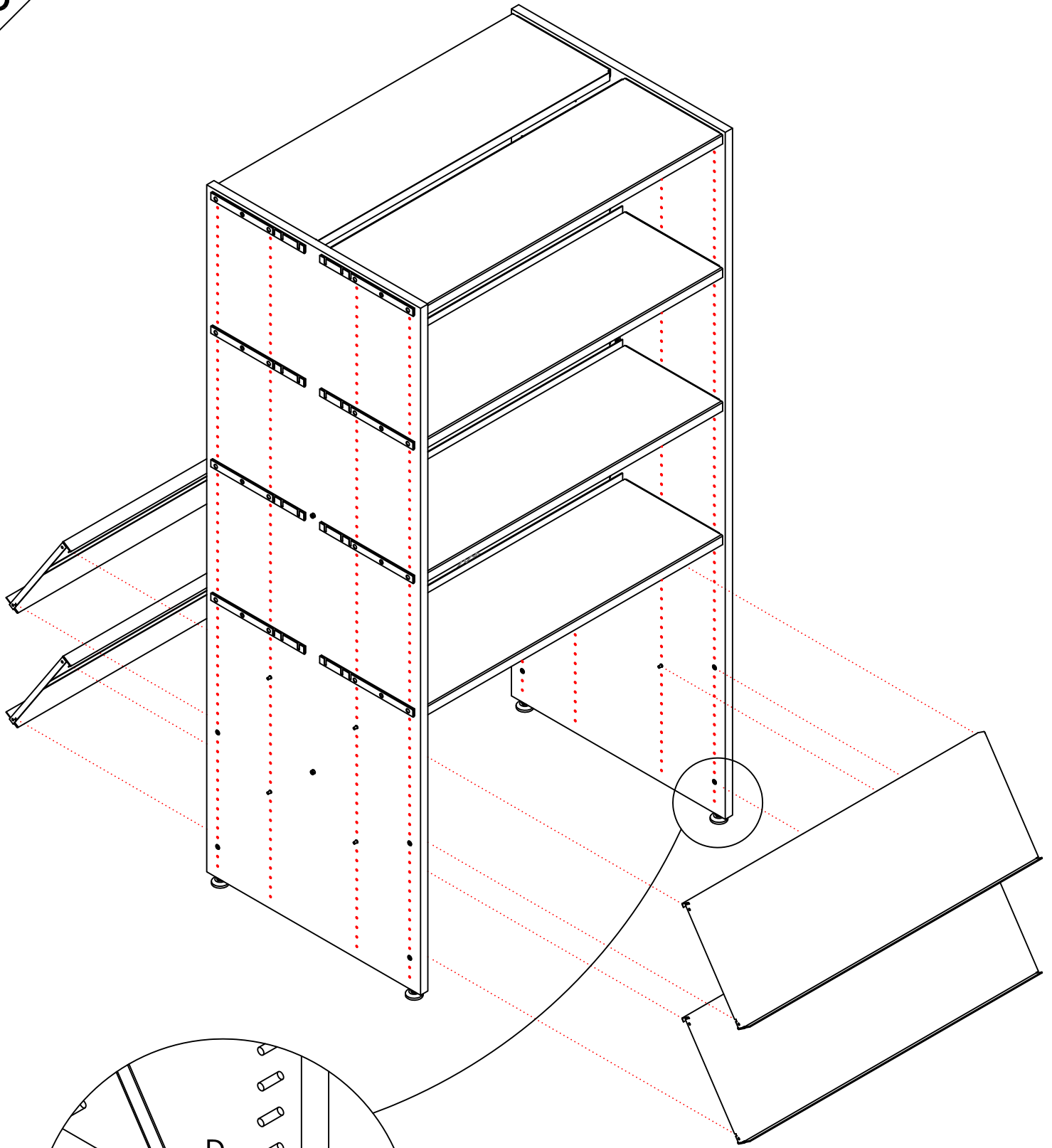




4

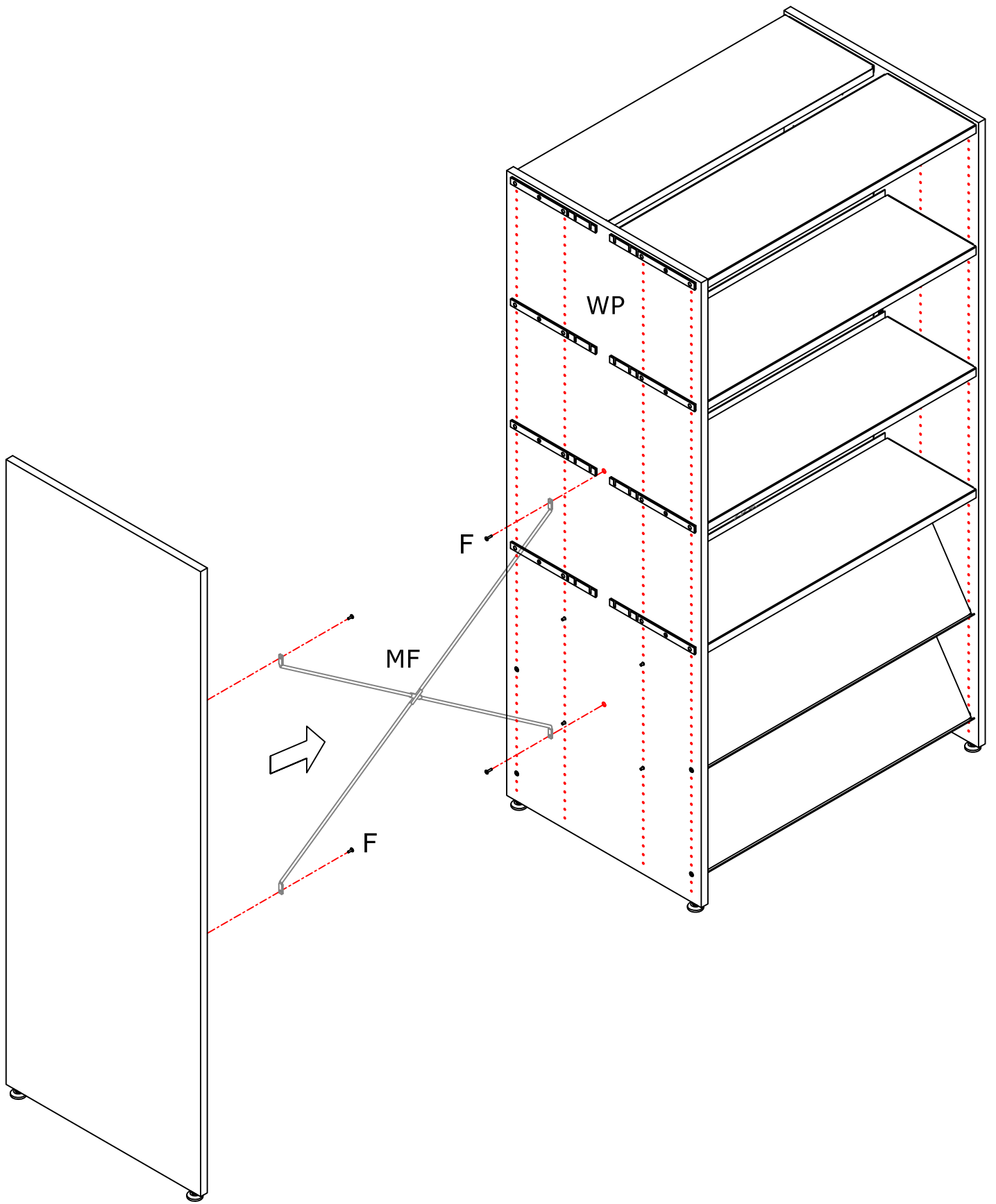


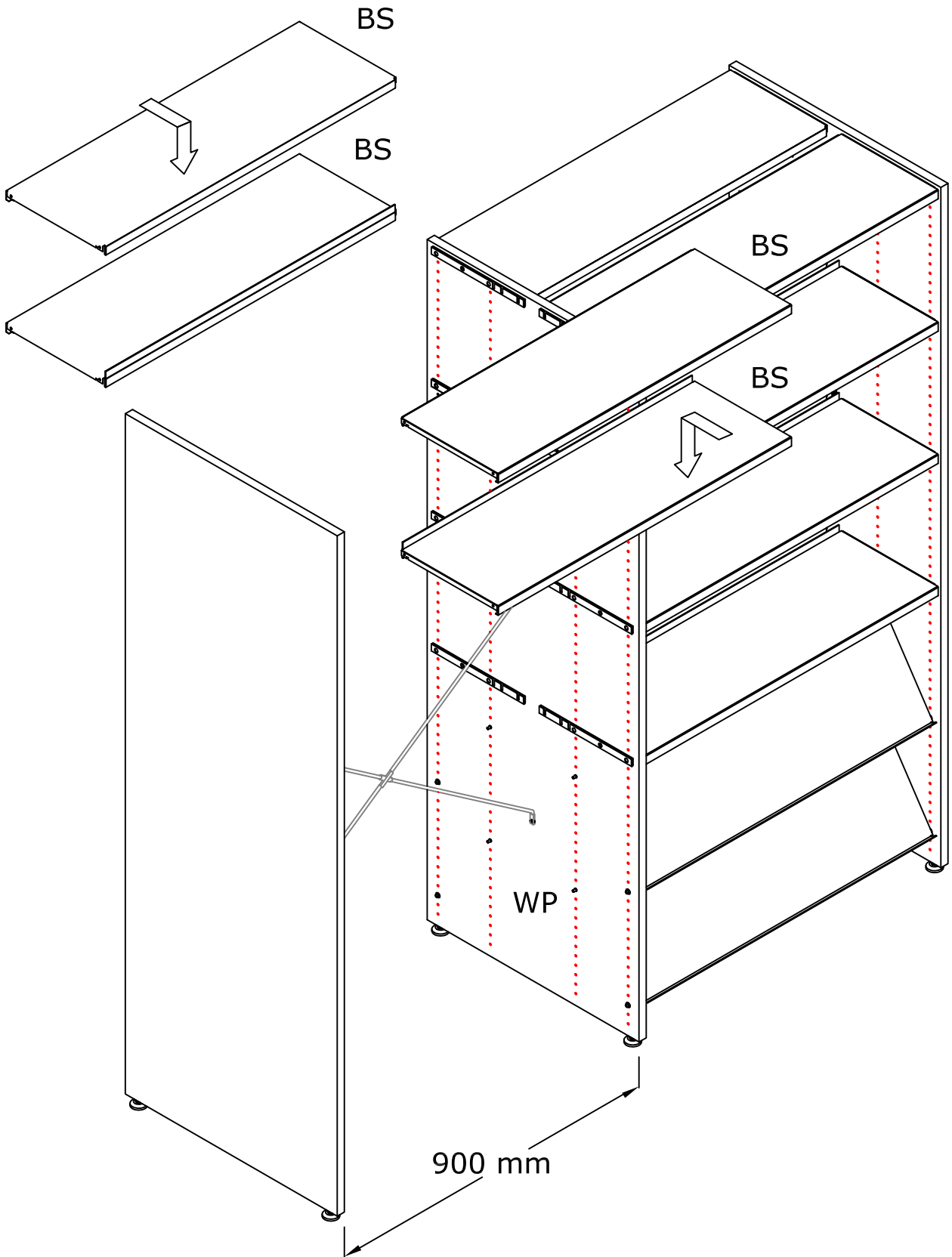
5

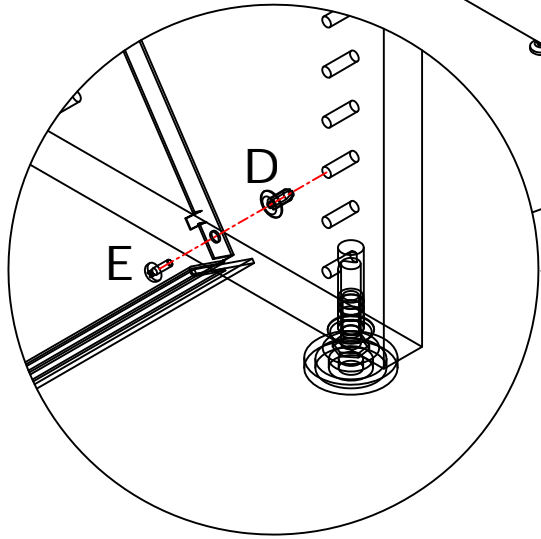
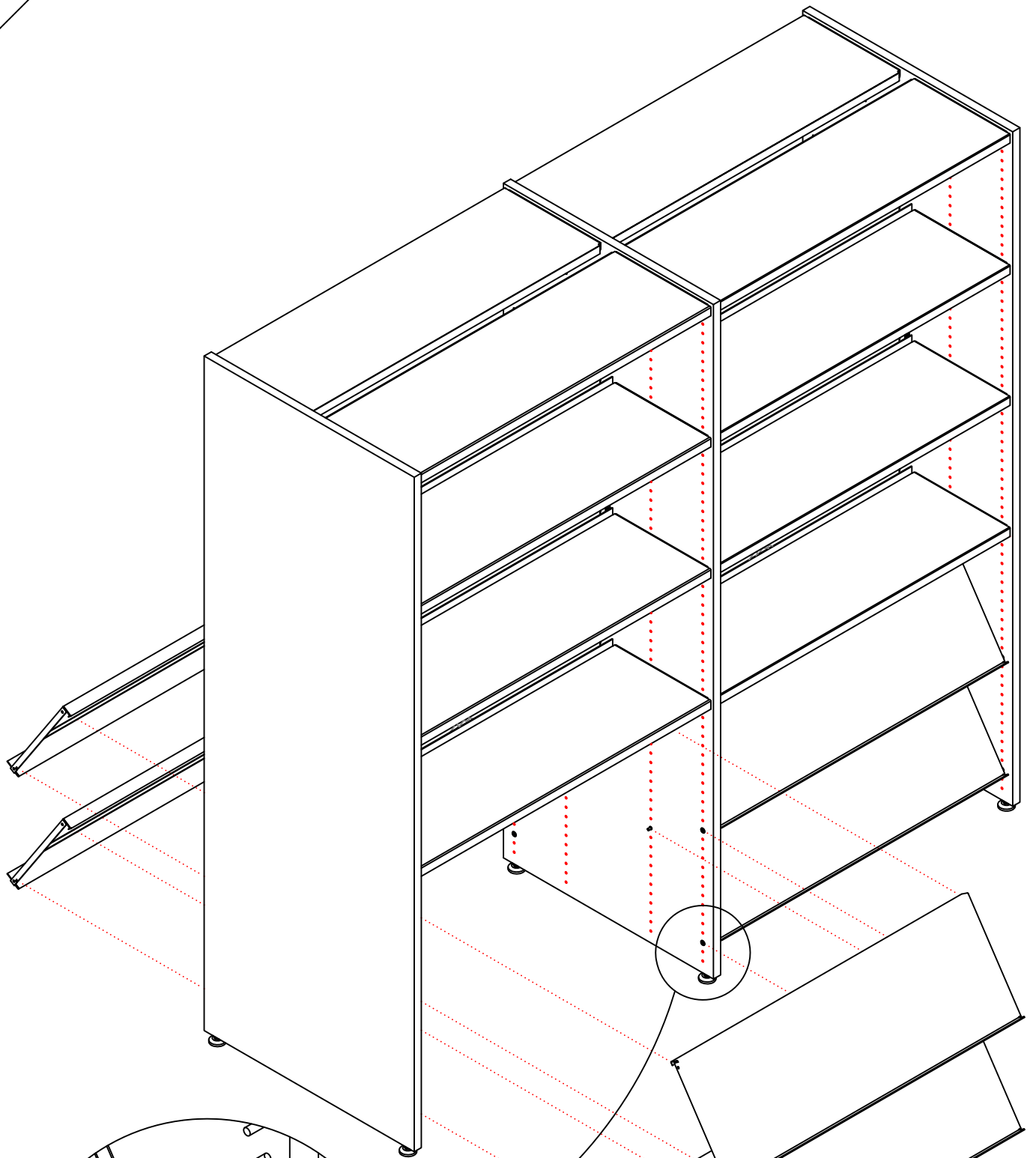


Transparent view of fixing display book shelves

6







Transparent view of fixing display book shelves